

Link do produktu: <https://sklep.onlyforjeep.pl/filtr-paliwa-separator-wody-mopar-ram-67l-l6-diesel-68157291aa-68436631aa-p-29240.html>



Filtr paliwa separator wody MOPAR RAM 6.7L L6 DIESEL 68157291AA 68436631AA

Cena	990,00 zł
Numer katalogowy	68157291, 68157291AA, K68157291AA, P68157291AA, 68
Numer katalogowy części	68157291, 68157291AA, K68157291AA, P68157291AA, 68436631, 68436631AA, K68436631AA, P68436631AA
Producent części	Mopar
Typ samochodu	4x4/SUV, Samochody osobowe

Opis produktu

Filtr paliwa, filtr separator wody

- RAM 2500, 3500
- **DIESEL**
- 68157291AA
- 68436631AA

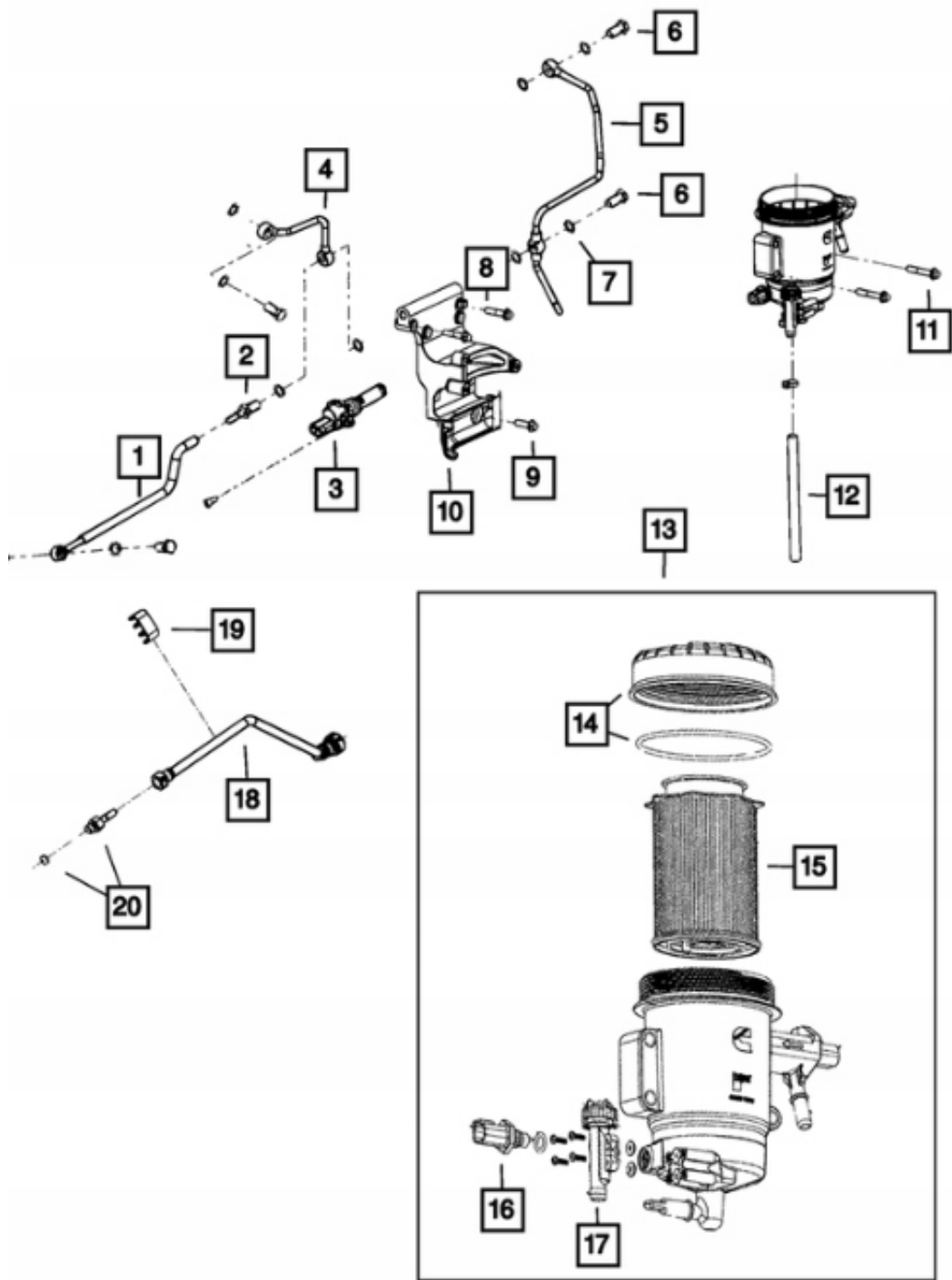
- **produkt NOWY**
- **oryginał MOPAR**
- **CENA ZA ZESTAW**





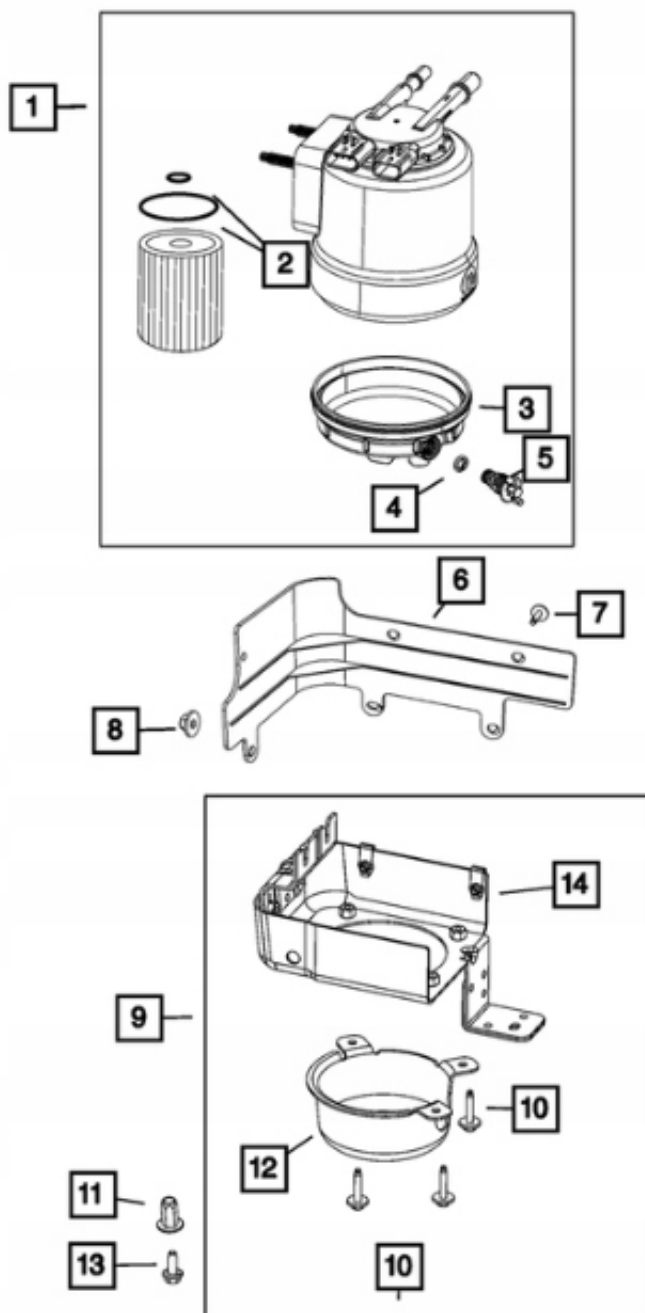
68157291AA

- Na rysunku numer 15.



68436631AA

- Na rysunku numer 2.



PASUJE DO:

2024, Ram:

- 2500, Big Horn, Laramie, Limited, Limited Longhorn, Lone Star, Rebel, Tradesman, 6.7L L6 - Diesel
- 3500, Big Horn, Laramie, Limited, Limited Longhorn, SLT, Tradesman, 6.7L L6 - Diesel

2023, Ram:

- 2500, Big Horn, Laramie, Limited, Limited Longhorn, Lone Star, Rebel, Tradesman, 6.7L L6 - Diesel
- 3500, Big Horn, Laramie, Limited, Limited Longhorn, SLT, Tradesman, 6.7L L6 - Diesel

2022, Ram:

- 2500, Big Horn, Laramie, Limited, Limited Longhorn, Lone Star, Tradesman, 6.7L L6 - Diesel
- 3500, Big Horn, Laramie, Limited, Limited Longhorn, Lone Star, SLT, Tradesman, 6.7L L6 - Diesel

2021, Ram:

- 2500, Big Horn, Laramie, Limited, Limited Longhorn, Lone Star, Tradesman, 6.7L L6 - Diesel
- 3500, Big Horn, Laramie, Limited, Limited Longhorn, Lone Star, SLT, Tradesman, 6.7L L6 - Diesel

2020, Ram:

- 2500, Big Horn, Laramie, Laramie Longhorn, Limited, Lone Star, Tradesman, 6.7L L6 - Diesel
- 3500, Laramie, Laramie Longhorn, Limited, SLT, Tradesman, 6.7L L6 - Diesel

2019, Ram:

- 2500, Big Horn, Laramie, Laramie Longhorn, Limited, Lone Star, Tradesman, 6.7L L6 - Diesel
- 3500, Big Horn, Laramie, Laramie Longhorn, Limited, Lone Star, SLT, Tradesman, 6.7L L6 - Diesel

2018, Ram:

- 2500, Big Horn, Laramie, Laramie Longhorn, Limited, SLT, Tradesman, 6.7L L6 - Diesel
- 3500, Big Horn, Laramie, Laramie Longhorn, Limited, SLT, Tradesman, 6.7L L6 - Diesel

2017, Ram:

- 2500, Big Horn, Laramie, Laramie Longhorn, Limited, SLT, Tradesman, 6.7L L6 - Diesel
- 3500, Big Horn, Laramie, Laramie Longhorn, Limited, Lone Star, SLT, Tradesman, 6.7L L6 - Diesel

2016, Ram:

- 2500, Big Horn, Laramie, Laramie Longhorn, Limited, Outdoorsman, SLT, Tradesman, 6.7L L6 - Diesel
- 3500, Big Horn, Laramie, Laramie Longhorn, Limited, SLT, Tradesman, 6.7L L6 - Diesel

2015, Ram:

- 2500, Big Horn, Laramie, Laramie Limited, Laramie Longhorn, Lone Star, Outdoorsman, SLT, Tradesman, 6.7L L6 - Diesel
- 3500, Big Horn, Laramie, Laramie Limited, Laramie Longhorn, Lone Star, SLT, Tradesman, 6.7L L6 - Diesel

2014, Ram:

- 2500, Big Horn, Laramie, Laramie Limited, Laramie Longhorn, Lone Star, Outdoorsman, SLT, Tradesman, 6.7L L6 - Diesel
- 3500, Big Horn, Laramie, Laramie Limited, Laramie Longhorn, Lone Star, SLT, Tradesman, 6.7L L6 - Diesel

2013, Ram:

- 2500, Big Horn, Laramie, Laramie Longhorn, Lone Star, Outdoorsman, SLT, Tradesman, 6.7L L6 - Diesel
- 3500, Big Horn, Laramie, Laramie Longhorn, Lone Star, SLT, Tradesman, 6.7L L6 - Diesel